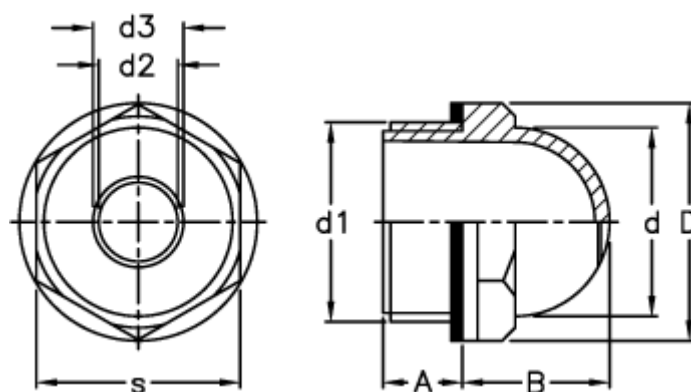


Article number: 2311011106

Description: E+G Dome-shaped level indicator
HCFE.24/C-1

Measures



A = 11.0

B = 24.0

d = 31

D = 42.0

d1 = G 1

d2 = 14

d3 = 15

s = 36

Tightening torque N m = 8 to 10